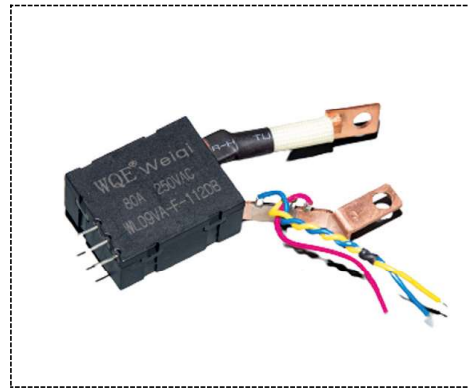


特点characteristic

- 1、体积小, 80A触点切换能力
Small size,80A switching capability.
 - 2、线圈功耗小、温升极低
Low coil consumption, ultra-low temperature rise
 - 3、触点接触电阻小, 电接触稳定性好
Low contact resistance
 - 5、抗冲击、抗振动能力强
Strong anti-shock and anti-vibration capability 4、
- 外形尺寸: (38×30.9×16.5) mm
Outline size: (38×30.9×16.5) mm



触点参数Contact parameters

型号Model	WL09VA
触点形式Contact form	1A, 1B
最大切换电流Maximum switching current	80A
最大切换电压Maximum switching voltage	250AC
最大切换功率Maximum switching power	20000VA
触点负载 (阻性) Contact load (resistive)	80A 250VAC

性能参数performance parameter

触点材料Contact material	银合金 Ag alloy	
接触电阻Contact resistance	Max 1.2mΩ	
动作时间Action time	≤20S	
释放时间Release time	≤20S	
绝缘电阻Insulation resistance	Min 1000MΩ (500VDC)	
介质耐压 Dielectric Strength	断开触点间 Between Open contacts	AC 1800VAC 50/60Hz 1min
	触点线圈间 Between contact coils	AC 4000VAC 50/60Hz 1min
冲击 to attack	稳定性stability	100m/S ² (10g)
	强度strength	1000m/S ² (100g)
振动Vibration	10~55Hz 双振幅 Double Amplitude 1.5mm	
机械寿命Mechanical endurance min	5×10 ⁵	
电气寿命Electrial edurance min	1×10 ⁴	
相对湿度Humidity	98%RH,40°C	
环境温度Ambient temperature	-40~+70°C	
重量Weight	约Approx 50g	
引出端方式Termination	快连接式 Fast connection	

订货示例 Ordering example

	WL09VA	-F	-1	12	D	B	X
继电器型号 Type							
密封型式: F-防尘式 Construction: F-Flux proofed							
继电器触点组数: 1-1组触点 Number of Poles: 1-1 group							
线圈电压: 9, 12, 24, 48VDC Coil Voltage: 9, 12, 24, 48VDC							
线圈形式: 无-单线圈, D-双线圈 Coil type: Nil-Single coil, D-Double coil							
触点形式: B-常闭, M-常开 Contact Arrangement: B-N/C, M-N/O							
特规参数: 根据客户要求定制 无-标准型 Special parameters: customized according to customer requirements Nil-standard							

线圈Coil

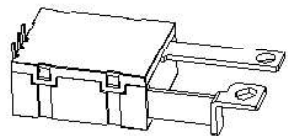
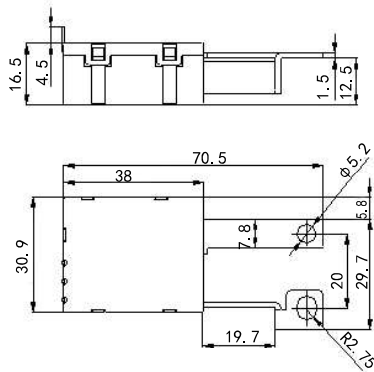
线圈功耗Coil power	单线圈: 1W, 双线圈: 2W Single Coil: 1W, Double Coil: 2W
----------------	--

线圈参数Coil parameters

(at 20°C)

线圈形式 Coil type	额定电压 rated Voltage	线圈电阻 Coil Resistance	动作电压 Pick-up Voltage 额定电压的75% 75% of rated voltage	脉冲宽度 Pulse Duration	功率 Coil Power
	VDC	$\Omega \pm 10\%$	VDC	ms	W
单线圈 Single coil	9	81	6.75	50	1
	12	144	9	50	
	24	576	18	50	
	48	2304	36	50	
双线圈 Double coil	9	2×40.5	6.75	50	2
	12	2×72	9	50	
	24	2×288	18	50	
	48	2×1152	36	50	

外形及安装图 Outline and installation drawing



Outline Dimensions
外形图

