

特点characteristic

- 1、体积小，120A触点切换能力
Small size,120A switching capability.
- 2、功耗小、温升极低;
Low coil consumption, ultra-low temperature rise
- 3、触点接触电阻小，电接触稳定性好
Low contact resistance.
- 4、外形尺寸: (76×43×25) mm
Outline size: (76×43×25) mm

**触点参数Contact parameters**

型号Model	WL09F
触点形式Contact form	1A、1B
最大切换电流Maximum switching current	120A
最大切换电压Maximum switching voltage	250VAC
最大切换功率Maximum switching power	30000VA
触点负载（阻性） Contact load (resistive)	120A 250VAC

性能参数performance parameter

触点材料Contact material	银合金 Ag alloy	
接触电阻Contact resistance	Max 0.8mΩ	
动作时间Action time	≤30S	
释放时间Release time	≤30S	
绝缘电阻Insulation resistance	Min 1000MΩ (500VDC)	
介质耐压 Dielectric Strength	断开触点间 Between Open contacts	AC 1800VAC 50/60Hz 1min
	触点线圈间 Between contact coils	AC 4000VAC 50/60Hz 1min
冲击 to attack	稳定性stability	100m/S ² (10g)
	强度strength	1000m/S ² (100g)
振动Vibration	10~55Hz 双振幅 Double Amplitude 1.5mm	
机械寿命Mechanical endurance min	5×10 ⁶	
电气寿命Electrial eddurance min	1×10 ⁴	
相对湿度Humidity	98%RH,40°C	
环境温度Ambient temperature	-40~+70°C	
引出端方式Termination	快连接式Fast connection	
封装方式Constrution	防尘罩Dust protected	
重量Weight	约Approx 180g	

订货示例 Ordering example

	WL09F	-F	-1	12	D	B	X
继电器型号 Type							
密封型式: F-防尘式, S-塑封式 Construction: F-Flux proofed, S-Plastic Sealed							
继电器触点组数: 1-1组触点 Number of Poles: 1-1 group							
线圈电压: 9, 12, 24, 48VDC Coil Voltage: 9, 12, 24, 48VDC							
线圈形式: 无-单线圈, D-双线圈 Coil type: Nil-Single coil, D-Double coil							
触点形式: B-常闭, M-常开 Contact Arrangement: B-N/C, M-N/O							
特规参数: 根据客户要求定制 无-标准型 Special parameters: customized according to customer requirements Nil-standard							

线圈Coil

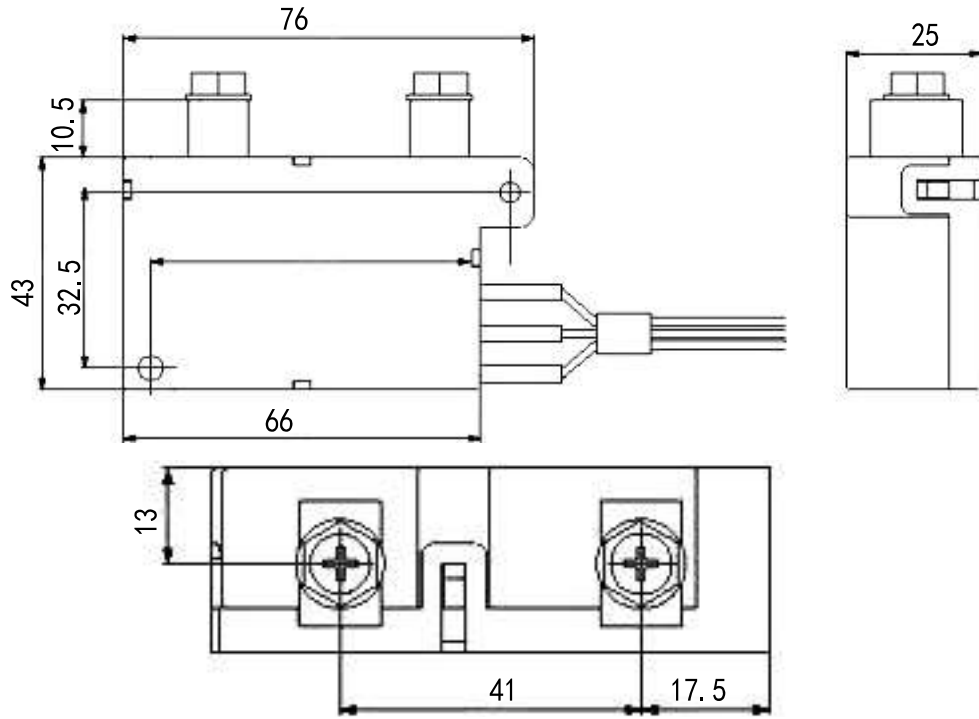
线圈功耗Coil power	单线圈: 1.8W, 双线圈: 3.6W Single Coil: 1.8W, Double Coil: 3.6W
----------------	--

线圈参数Coil parameters

(at 20°C)

线圈形式 Coil type	额定电压 rated Voltage	线圈电阻 Coil Resistance	动作电压 Pick-up Voltage 额定电压的75% 75% of rated voltage	脉冲宽度 Pulse Duration	功率 Coil Power
	VDC	$\Omega \pm 10\%$	VDC	ms	W
单线圈 Single coil	9	45	6.75	50	1.8
	12	80	9	50	
	24	320	18	50	
	48	1280	36	50	
双线圈 Double coil	9	2×22.5	6.75	50	3.6
	12	2×40	9	50	
	24	2×160	18	50	
	48	2×640	36	50	

外形及安装图 Outline and installation drawing



Outline Dimensions

外形图

