

特点characteristic

- 1、体积小, 3×80A触点切换能力
Small size, 3×80A switching capability.
- 2、功耗小、温升极低;
Low coil consumption, ultra-low temperature rise
- 3、触点接触电阻小, 电接触稳定性好
Low contact resistance.
- 4、外形寸: (93×42×19.5) mm
Outline size: (93×42×19.5) mm

**触点参数Contact parameters**

型号Model	WL09L
触点形式Contact form	3A、3B
最大切换电流Maximum switching current	80A
最大切换电压Maximum switching voltage	250VAC
最大切换功率Maximum switching power	20000VA
触点负载 (阻性) Contact load (resistive)	3×80A 250VAC

性能参数performance parameter

触点材料Contact material	银合金 Ag alloy	
接触电阻Contact resistance	Max 1.5mΩ	
动作时间Action time	≤30S	
释放时间Release time	≤30S	
绝缘电阻Insulation resistance	Min 1000MΩ (500VDC)	
介质耐压 Dielectric Strength	断开触点间 Between Open contacts	AC 1500VAC 50/60Hz 1min
	触点线圈间 Between contact coils	AC 4000VAC 50/60Hz 1min
冲击 to attack	稳定性stability	100m/S ² (10g)
	强度strength	1000m/S ² (100g)
振动Vibration	10~55Hz 双振幅 Double Amplitude 1.5mm	
机械寿命Mechanical endurance min	5×10 ⁵	
电气寿命Electrial edurance min	1×10 ⁴	
相对湿度Humidity	98%RH,40°C	
环境温度Ambient temperature	-40~+70°C	
引出端方式Temination	快连接式Fast connection	
封装方式Constrution	防尘罩Dust protected	
重量Weight	约Approx 250g	

订货示例 Ordering example

	WL09L	-F	-3	12	D	B	X
继电器型号 Type							
密封型式: F-防尘式, S-塑封式 Construction: F-Flux proofed ,S-Plastic Sealed							
继电器触点组数: 3-3组触点 Number of Poles: 3-3 group							
线圈电压: 9, 12, 24, 48VDC Coil Voltage:9, 12, 24, 48VDC							
线圈形式: 无-单线圈, D-双线圈 Coil type: Nil-Single coil , D-Doubile coil							
触点形式: B-常闭, M-常开 Contact Arrangement:B-N/C, M-N/O							
特规参数: 根据客户要求定制 无-标准型 Special parameters: customized according to customer requirements Nil-stanard							

线圈Coil

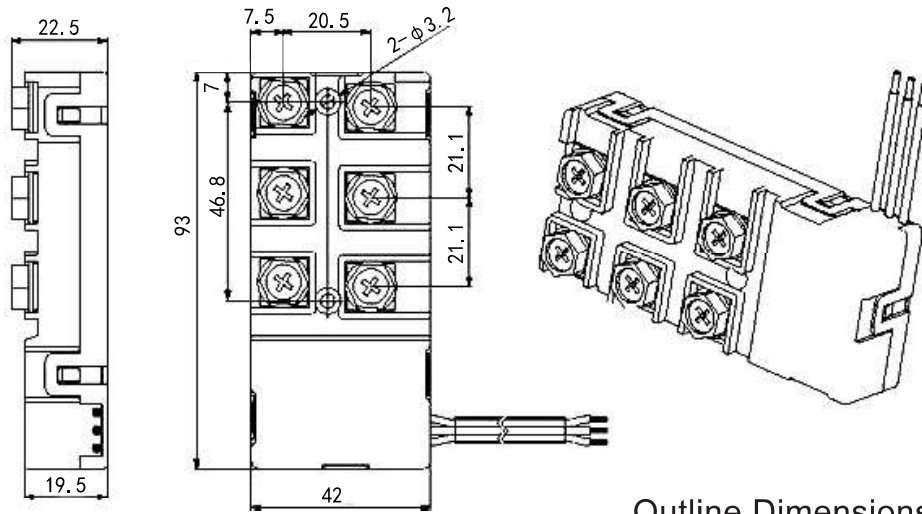
线圈功耗Coil power	单线圈: 2.5W, 双线圈: 5W Single Coil: 2.5W , Double Coil: 5W
----------------	---

线圈参数Coil parameters

(at 20°C)

线圈形式 Coil type	额定电压 rated Voltage	线圈电阻 Coil Resistance	动作电压 Pick-up Voltage 额定电压的75% 75% of rated voltage	脉冲宽度 Pulse Duration	功率 Coil Power
	VDC	Ω±10%	VDC	ms	W
单线圈 Single coil	9	32.4	6.75	100	2.5
	12	57.6	9	100	
	24	230.4	18	100	
	48	921.6	36	100	
双线圈 Doible coil	9	2×16.2	6.75	100	5
	12	2×28.8	9	100	
	24	2×115.2	18	100	
	48	2×460.8	36	100	

外形及安装图 Outline and installation drawing



Outline Dimensions
外形图

