

特点Characteristic

- 1、7A触点切换能力
7A contact switching capability
- 2、塑封型和防尘罩型可供选择
Plastic sealed and flux proofed types
- 3、具有一组转换触点形式
1 Form C configurations
- 4、外形尺寸 (20.5×7.0×15.1) mm
Overall dimensions (20.5×7.0×15.1) mm



触点参数Contact parameters

型号Model	WL46F
触点形式Contact form	1A(SPSTNO)
最大切换电流Maximum switching current	7A
最大切换电压Maximum switching voltage	250VAC/30VDC
最大切换功率Maximum switching power	1939VA /210W
触点负载 (阻性) Montact load (resistive)	7A 277VAC/30VDC

性能参数Performance parameter

触点材料Contact material	银合金 Ag alloy	
接触电阻Contact resistance	Max 100MΩ	
动作时间Action time	≤10ms	
释放时间Release time	≤5ms	
绝缘电阻Insulation resistance	Min 1000MΩ (500VDC)	
介质耐压 Dielectric Strength	断开触点间 Between contacts	AC 750VAC 50/60Hz 1min
	触点线圈间 Between contact coils	AC 4000VAC 50/60Hz 1min
冲击 To attack	稳定性Stability	98m/s ²
	强度Strength	980m/s ²
振动Vibration	10~55Hz 双振幅1.5mm Double Amplitude	
机械寿命Mechanical endurance min	1×10 ⁷	
电气寿命Electrial edurance min	1×10 ⁵	
相对湿度Humidity	5%~85%RH	
环境温度Ambient temperature	-40°C~105°C	
重量Weight	约Approx.3.0g	

订货示例 Ordering example

WL46F -S -1 12 M X

继电器型号

Type

密封型式: F-防尘式, S-塑封式

Construction: F-Flux proofed ,S-Plastic Sealed

继电器触点组数: 1-1组触点. 2-2组触点

Number of Poles: 1-1 group 2-2 group

线圈电压: 3, 5, 6, 9, 12, 18, 24

Coil Voltage: 3, 5, 6, 9, 12, 18, 24VDC

触点形式: M-常开

Contact Arrangement: M-N/O

特规参数: 根据客户要求定制, 无-标准型

Special parameters: customized according to customer requirements, Nil-standard

线圈参数 Coil parameters

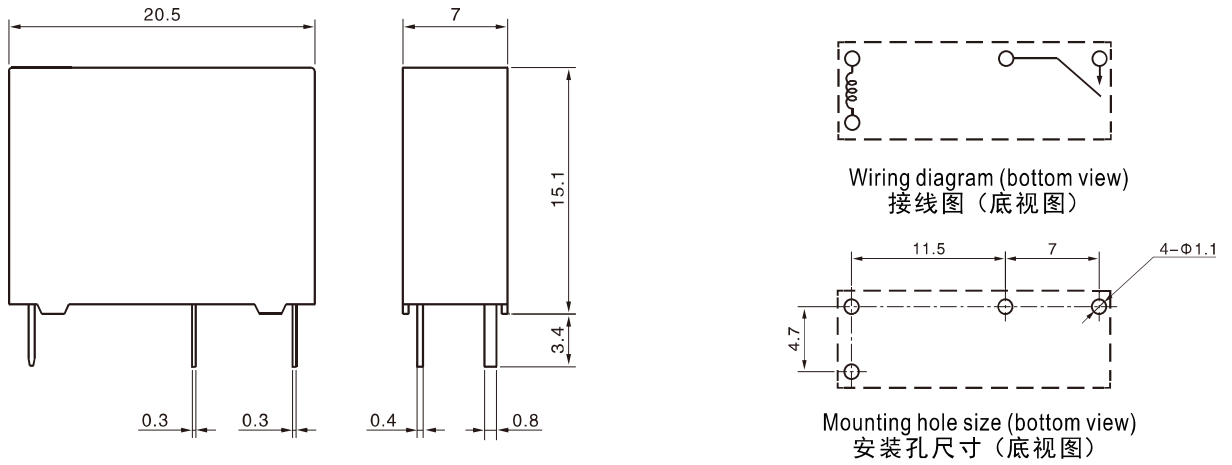
(at 20°C)

型号规格 Coil Voltage		线圈电阻 Coil Resistance	动作电压 Pick-up Voltage	释放电压 Drop-out Voltage	功率 Coil Power
额定 Rated	最大 Max		额定电压的75% 75% of rated voltage	额定电压的10% 10% of rated voltage	
VDC		$\Omega \pm 10\%$	VDC	VDC	W
3	3.9	45	2.25	0.3	0.2
5	6.5	125	3.75	0.5	
6	7.8	180	4.5	0.6	
9	11.7	405	6.75	0.9	
12	15.6	720	9	1.2	
18	23.4	1620	13.5	1.8	
24	31.2	2880	18	2.4	

安规认证 Safetu standard

认证类别 Certification category	CQC	TUV	UL
认证负载 Certified load	5A 277VAC/30VDC 105°C 7A 277VAC/30VDC 5°C	5A 277VAC/30VDC 105°C 7A 277VAC/30VDC 5°C	5A 277VAC/30VDC 105°C 7A 277VAC/30VDC 5°C

外形及安装图 Outline and installation drawing



Undimensioned tolerance: <1mm: ±0.2mm 1~5mm: ±0.3mm >5mm: ±0.4mm
 未标注尺寸公差: <1mm: ±0.2mm 1~5mm: ±0.3mm >5mm: ±0.4mm

Note: 1. The size of the lead foot is pre welding dimension. 注: 1、引出脚尺寸为预焊前尺寸
 2. installation hole size tolerance: + 0.1mm 2、安装孔尺寸公差: ±0.1mm

性能曲线图 Performance chart

