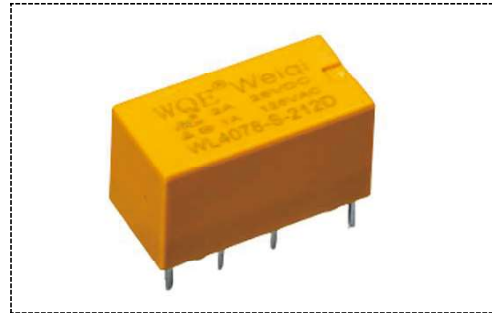


特点Characteristic

- 1、体积小，重量轻
Small size and light weight
- 2、2A 超小型继电器
2A Amps super miniature relay
- 3、具有两组转换触点形式
2 Form C configurations
- 4、外形尺寸 (20.0×10.0×11.6) mm
Overall dimensions (20.0×10.0×11.6) mm



触点参数Contact parameters

| | |
|---------------------------------------|-----------------|
| 型号Model | WL4078 |
| 触点形式Contact Arrangement | 2C (DPDT(B-M)) |
| 最大切换电流Maximum switching current | 1A |
| 最大切换电压Maximum switching voltage | 240VAC/125VAC |
| 最大切换功率Maximum switching power | 30W/125VA |
| 触点负载 (阻性) Contact load (resistive) | 1A 125VAC/30VDC |

性能参数Performance parameter

| | | |
|--------------------------------|-----------------------------------|-------------------------|
| 触点材料Contact material | 银合金 Ag alloy/镀金 Gold-plated | |
| 接触电阻Contact resistance | ≤50MΩ | |
| 动作时间Action time | ≤6ms | |
| 释放时间Release time | ≤4ms | |
| 绝缘电阻Insulation resistance | Min100MΩ (500VDC) | |
| 介质耐压 Dielectric Strength | 触点间 Between contacts | AC 750VAC 50/60Hz 1min |
| | 触点线圈间 Between contact coils | AC 1500VAC 50/60Hz 1min |
| 冲击 To attack | 稳定性Stability | 169m/s ² |
| | 强度Strength | 980m/s ² |
| 振动Vibration | 10~70Hz 双振幅1.5mm Double Amplitude | |
| 机械寿命Mechanical endurance min | 1×10 ⁸ | |
| 电气寿命Electrial eddurance min | 1×10 ⁵ | |
| 相对湿度Humidity | 5%~85% | |
| 环境温度Ambient temperature | -40°C~85°C | |
| 重量Weight | 约Approx 5g | |

订货示例 Ordering example

| | | | | | | |
|---|--------|----|----|----|---|---|
| | WL4078 | -S | -2 | 12 | D | X |
| 继电器型号 Type | | | | | | |
| 密封型式: F-防尘式, S-塑封式 Construction: F-Flux proofed, S-Plastic Sealed, O-Open type | | | | | | |
| 继电器触点组数: 1-1组触点, 2-2组触点 Number of Poles: 1-1 group, 2-2 group | | | | | | |
| 线圈电压: 3, 5, 6, 9, 12, 24VDC Coil Voltage: 3, 5, 6, 9, 12, 24VDC | | | | | | |
| 线圈功率: L-0.15W, D-0.2W Coil Power: L-0.15W, D-0.2W | | | | | | |
| 触点形式: M-常开, 无-转换, B-常闭 Contact Arrangement: M-N/O, Nil-C/O, B-N/C | | | | | | |
| 特规参数: 根据客户要求定制 Special parameters: customized according to customer requirements | | | | | | |

线圈参数 Coil parameters

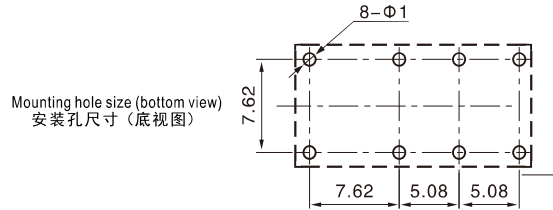
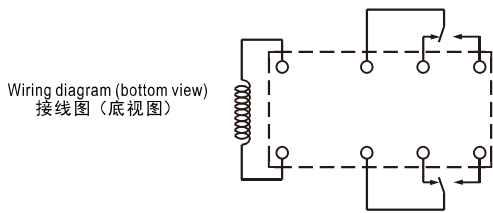
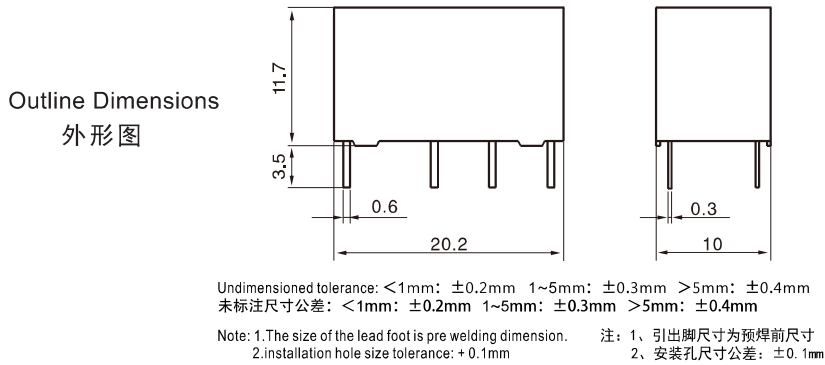
(at 20°C)

| 型号规格 Coil Voltage | | 线圈电阻 Coil Resistance | 动作电压 Pick-up Voltage 额定电压的80% 75% of rated voltage | 释放电压 Drop-out Voltage 额定电压的10% 10% of rated voltage | 功率 Coil Power |
|----------------------|-----------|-------------------------|---|--|------------------|
| 额定 Rated | 最大 Max | | | | |
| VDC | | $\Omega \pm 10\%$ | VDC | VDC | W |
| 3 | 4.5 | 60 | 2.25 | 0.3 | 0.15 |
| 5 | 7.5 | 167 | 3.75 | 0.5 | |
| 6 | 9 | 240 | 4.5 | 0.6 | |
| 9 | 13.5 | 540 | 6.75 | 0.9 | |
| 12 | 18 | 960 | 9 | 1.2 | |
| 24 | 36 | 3840 | 18 | 2.4 | |
| 3 | 4.5 | 45 | 2.25 | 0.3 | 0.2 |
| 5 | 7.5 | 125 | 3.75 | 0.5 | |
| 6 | 9 | 180 | 4.5 | 0.6 | |
| 9 | 13.5 | 405 | 6.75 | 0.9 | |
| 12 | 18 | 720 | 9 | 1.2 | |
| 24 | 36 | 2880 | 18 | 2.4 | |

安全认证负载 Safety certified load

| | | | |
|--------------------------------|-----------|-----------|-----------------|
| 认证类别 Certification category | CQC | TUV | UL |
| 认证负载 Certified load | 1A 125VAC | 1A 125VAC | 1A 125VAC/30VDC |

外形及安装图 Outline and installation drawing



性能曲线图 Performance chart

